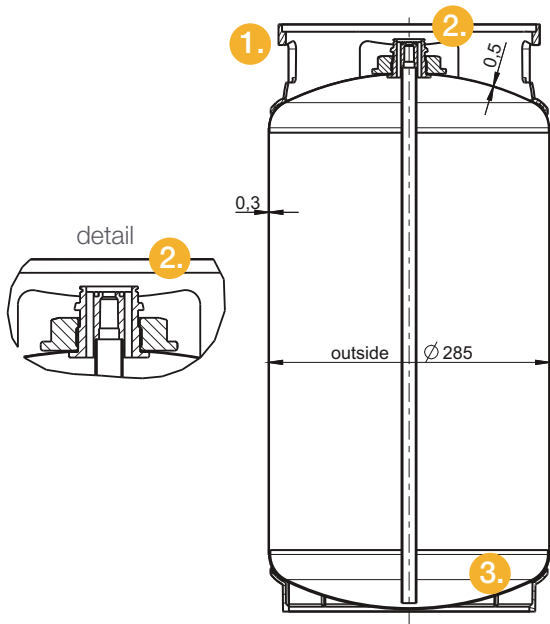
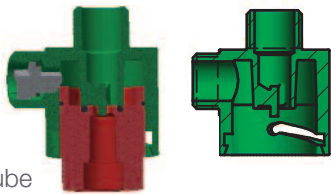


Dimensions



- 1. top handle
- 2. one way filling and tapping head
- 3. standing ring with stacking foot groove



red = extractor tube
green = tapping head

Worldkeg non-returnable keg coupler with standard 1/2 inch and 5/8 inch adapter connection for CO₂ and beer included in scope of delivery.

Keg Comparison

	Return-able Keg	WorldKeg	Plastic Keg
costs / capital commitment	--	+	++
compatibility with existing filling line	++	++	-
compatibility with dispensing and bar equipment	- / +	++	- / --
pressure stability	++	++	--
CO ₂ tightness / light protection / sensory neutrality	++	++	--
stackability / palletizability / container space utilization	+	++	- / +
environmental friendliness / recycle ability	++	+	-
labeling / branding / corporate design	-	++	-
security	++	++	--

*Stainless steel has a good rest value. The ABS-made top handle and standing ring can be separated easily from the metal.

Our keg is **100% recyclable.***
High scrap value!



WorldKeg International GmbH
Johann-Sebastian-Bach-Str. 7 | 67549 Worms / Germany
Phone: +49 173 6784633 | Fax: +49 3212 1345078

WorldKeg is a product of CoolSystem KEG GmbH
Flössastr. 7 | 90763 Fürth / Germany
Phone: +49 911 2530160 | Fax +49 911 2530159
www.worldkeg.com / keg@worldkeg.com



The first
stainless steel
non-returnable keg
in the world



Audited by TÜV
for pressure stability in export
and burst protection



VLB certified:
WorldKeg is pressure resistant
and tasteless

www.worldkeg.com

WORLD PREMIERE at drinktec 2017
Hall A1 – Booth 444

one world - one keg

Advantages

stainless steel non-returnable keg

- ! **Beer quality**
 - ! minimum CO₂ loss in comparison to PET keg
 - ! minimum O₂ intake in comparison to PET keg
 - ! extended shelf life in comparison to PET keg
 - ! no negative product influence of packaging material (no "plastic taste")
 - ! commercial sterility of WorldKeg by steam sterilization and CO₂ gas charge of 1.5 bar
- ! **Cost savings**
 - ! no tying up of capital by buying kegs
 - ! no capital loss associated with lost, damaged or heavily polluted kegs
 - ! no back transport of empty kegs
 - ! no cleaning of used kegs
 - ! overall cost reduction in primary packaging
 - ! reduced freight cost by better usage of available container or truck space ("slimkeg design" and stackability)
- ! **Handling**
 - ! form stability up to 70°C (158°F) and 8 bar (important for export in regions with hot climate)
 - ! easy filling on standard keg lines with adapter
 - ! tapping with every standard device without extra equipment up to 5 bar pressure
 - ! reduced space in bar and cooling device ("slimkeg design")
 - ! hand pump for easy tapping available (possible use as "party keg")
 - ! stackable up to 4 empty or 2 filled WorldKegs

- ! **Security**
 - ! explosion proof (steel cannot explode like PET)
 - ! integrated burst protection at approximately 10 bar
 - ! no refilling possible (no product fraud, no quality risk)
- ! **Marketing**
 - ! shrink label can be applied
 - ! easy access to new markets, especially in export business by avoiding return logistics

Product Characteristics

stainless steel non-returnable keg

- ! **Keg**
 - ! patented longitudinal welded cylindrical keg body made from 0.3 mm stainless steel
 - ! two torispherical stainless steel heads welded to keg body
 - ! container sizes:
 - 30 l - corresponds to 1/4 barrel (7.75 gallon)
 - 20 l - corresponds to 1/6 barrel (5.16 gallon)

- ! **Fitting and Coupler**
 - ! patented plastic fitting mounted from inside (prevents reuse)
 - ! separate keg coupler with standard 1/2 inch and 5/8 inch connection for CO₂ and beer (included in scope of delivery)
 - ! allows 5 bar tapping pressure
- ! **Standing and Carrying ring**
 - ! upper carrying ring with two handles made from ABS plastic
 - ! lower standing ring with stacking groove for stacking up to 4 empty or 2 filled kegs on top of each other made from ABS plastic
- ! **Product Specification of 30 l WorldKeg**
 - ! total volume: 30.5 l
 - ! height: 598 mm (23.54 inches approx.)
 - ! outer diameter: 285 mm (11.22 inches approx.)
 - ! weight: 2.3 kg (approx.) (5.06 lbs approx.)
- ! **Logistical Data for empty WorldKeg**
 - ! available on window pallet (1140 x 1140 mm)
 - ! 48 pieces/WorldKeg per pallet
 - ! 1,056 pieces/WorldKeg per truck
- ! **Logistical Data for filled WorldKeg**
 - ! 640 pieces/WorldKeg per 20 ft. container (=192 hl)

